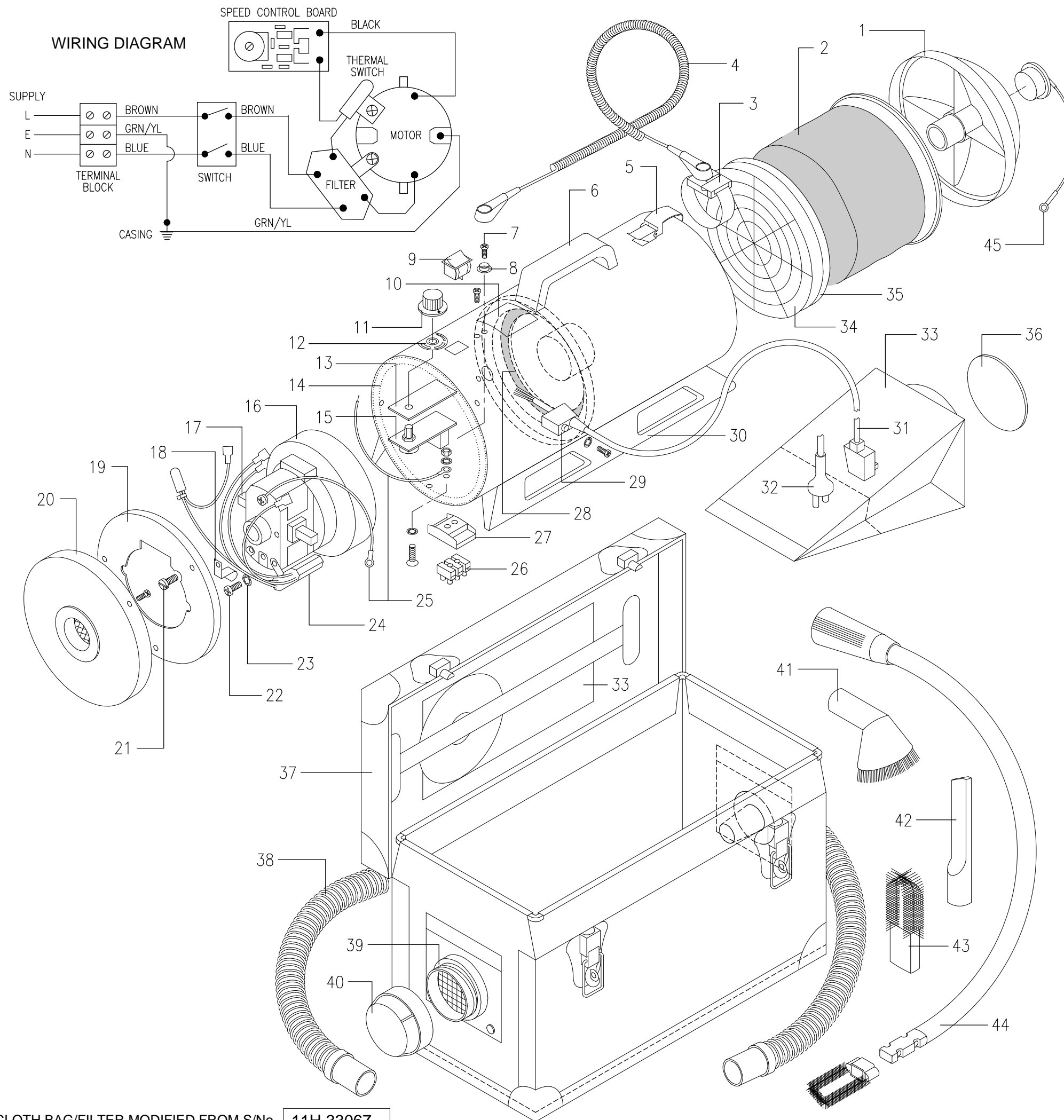


PCV1 PHOTOCOPIER VAC



ITEM No.	QTY	DESCRIPTION
1	1	PCV SUCTION END CAP A/S
2	1	PCV CLOTH BAG
3	1	ELASTICATED A/S WRISTBAND (OPTIONAL EXTRA)
4	1	YELLOW COILY LEAD (OPTIONAL EXTRA)
5	2	CLIP FOR Max, Prima, KV5, 10, 15 & 18
6	1	FLAT SURFACE HANDLE INC SCREWS & WASHERS
7	2	No6 x 1/2" PAN POZI SELF TAP SCREW
8	1	EARTHING STUD FOR COILY LEAD
9	1	DRY VAC ROCKER SWITCH FOR PCV
10	1	DRY VAC ONLY LABEL
11	1	KNOB FOR SPEED CONTROL
12	1	MIN/MAX LABEL
13	1	INSULATION BARRIER FOR SPEED CONTROL
14	1	FOAM SILENCING PCV
15	1	SPEED CONTROL BOARD
16	1	MOTOR DIRECT AIRFLOW FOR PCV 230V 900W
17	1PR	CARBON BRUSHES 230V 900W FOR PCV
18	1	CLIP FOR THERMAL SWITCH
19	1	PCV MOTOR RETENTION PLATE
20	1	PCV EXHAUST END CAP
21	3	M5 x 30 PAN HEAD SCREW
22	2	No8 x 3/8" PAN POZI SELF TAP SCREW
23	2	M4 SHAKEPROOF WASHER
24	1	PCV FILTER/THERMAL SWITCH 230V M1/604
25	2	EARTH LEAD 270mm
26	1	TERMINAL BLOCK 3 WAY
27	1	TERMINAL BLOCK HOLDER
28	1	PCV MOTOR GASKET
29	1	CABLE CLAMP INC SCREW & GROMMET
30	2	SKID
31	1	CABLE/PLUG PACK 5M x 0.75mm 3 CORE WITH UK PLUG
32	1	CABLE/PLUG PACK 5M x 0.75mm 3 CORE WITH EURO PLUG
33	2	PCV PAPER BAG
34	1	PLASTIC HOLDER FOR MICROFILTER DISC
35	1	PCV MICROFILTER DISC
36	1	SELF ADHESIVE SEALING DISC FOR PAPER BAG
37	1	PCV CASE
38	1	25mm x 2.5M A/S HOSE ASSEMBLY
39	1	EXHAUST BLOWER
40	1	DIFFUSER
41	1	32mm SWIVEL DUSTING BRUSH
42	1	32mm A/S CREVICE TOOL
43	1	BRUSH FOR 32mm CREVICE TOOL
44	1	32mm FLEXICLEAN TOOL INC BRUSH (OPTIONAL EXTRA)
45	1	STOPPER FOR SUCTION END CAP WITH STRAP & FIXINGS

A/S = ANTI-STATIC/CONDUCTIVE

CLOTH BAG/FILTER MODIFIED FROM S/No. **11H 33067**
 ACCEPTS H12 HEPA FILTER FROM S/No. **11H 32544**